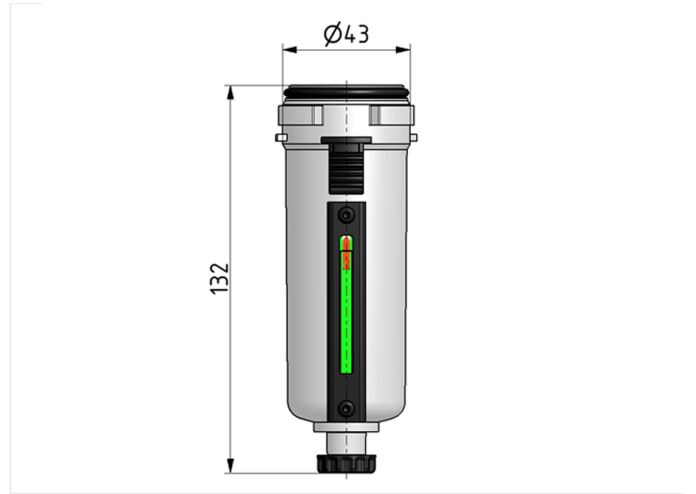


Accessories of the Futura series

Bowl metal/visual display with semi automatic drain and o-ring 37,5x2,5



type	part-number	series 1	series	weight
BE.2 H HA4	90002.0220	Futura	BG2	0.367 kg

technical data

- supply pressure P1 min.: 1,5 bar
- supply pressure P1 max.: 16 bar
- temperature range: 0 - 50°C
- bowl: metal bowl with level indicator
- drain: HA
- fixing: bayonet catch

accessories